

brother®

Stamp Creator PRO

PARTS REFERENCE LIST

MODEL: SC-2000 (For Europe)

MECHANISMS & ELECTRONICS

NOTES FOR USING THIS PARTS REFERENCE LIST

1. In the case of ordering parts, it needs mentioning the following items:

- (1) Code
- (2) Q'ty
- (3) Description
- (4) Symbol (PCB No., Revision , and Parts location mounted on the PCB.)

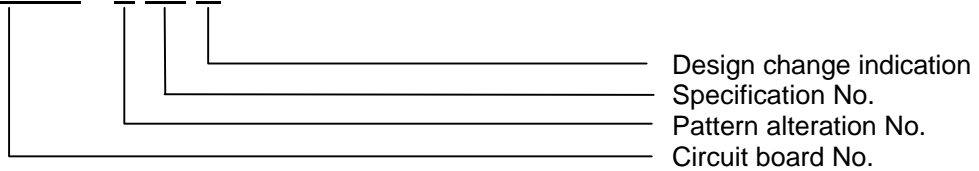
Note : No orders without Parts Code or Tool No. can be accepted.

[Example]

REF. NO.	SYMBOL	CODE	Q'TY	DESCRIPTION	REMARKS

Revision No. : marked on the printed circuit board.

B48J300 - 1 01 A



2. Design-changed parts:

When the parts are changed, any one of the following symbols is indicated in the REMARKS column.

- CHNG#A : compatible between old and new
- CHNG#B : replaceable from old to new
- CHNG#D : incompatible
- ADD : newly established

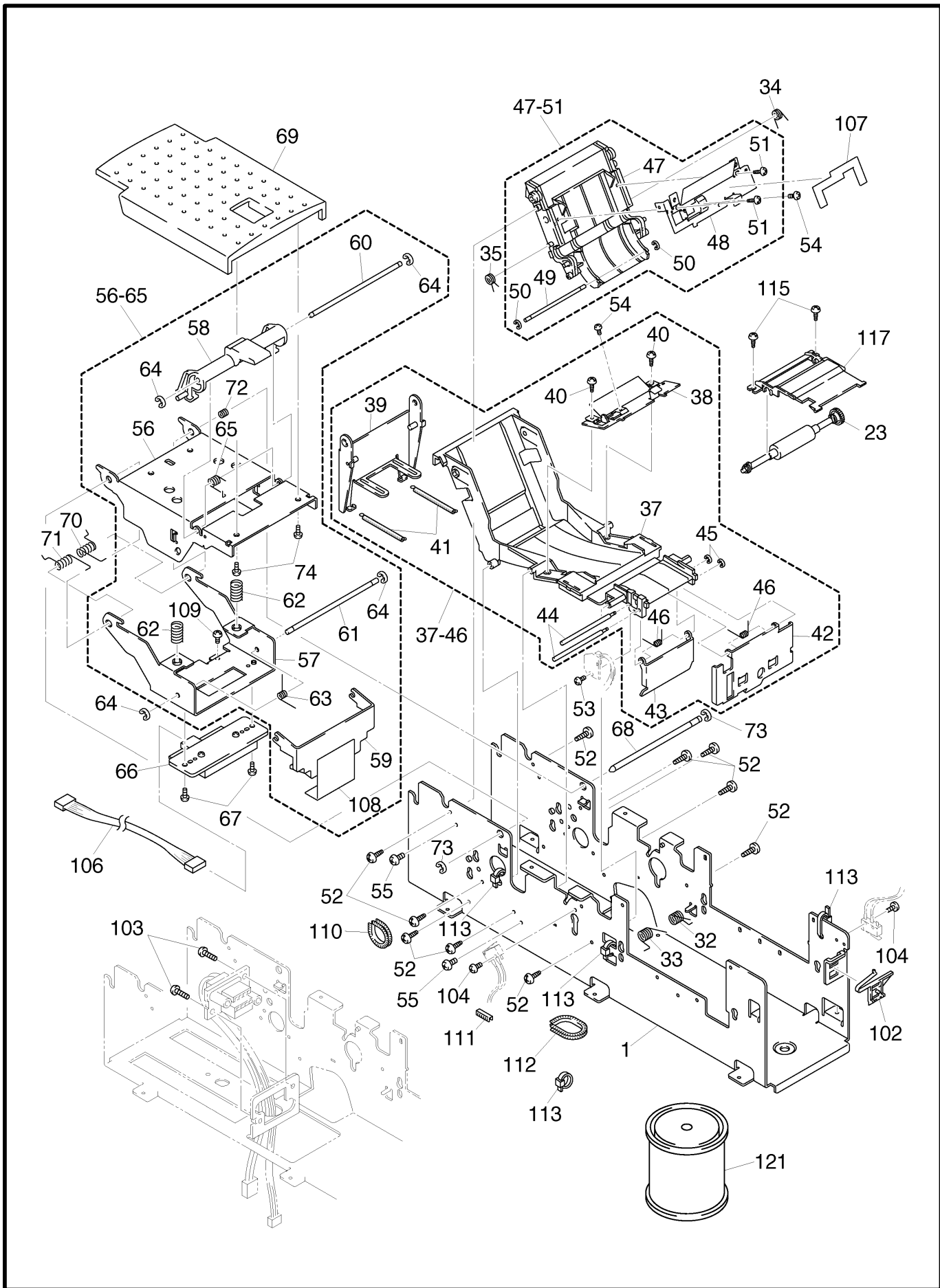
3. The original of this list was made based on the information available in Dec., '98.

4. Parts are subject to change in design without prior notice.

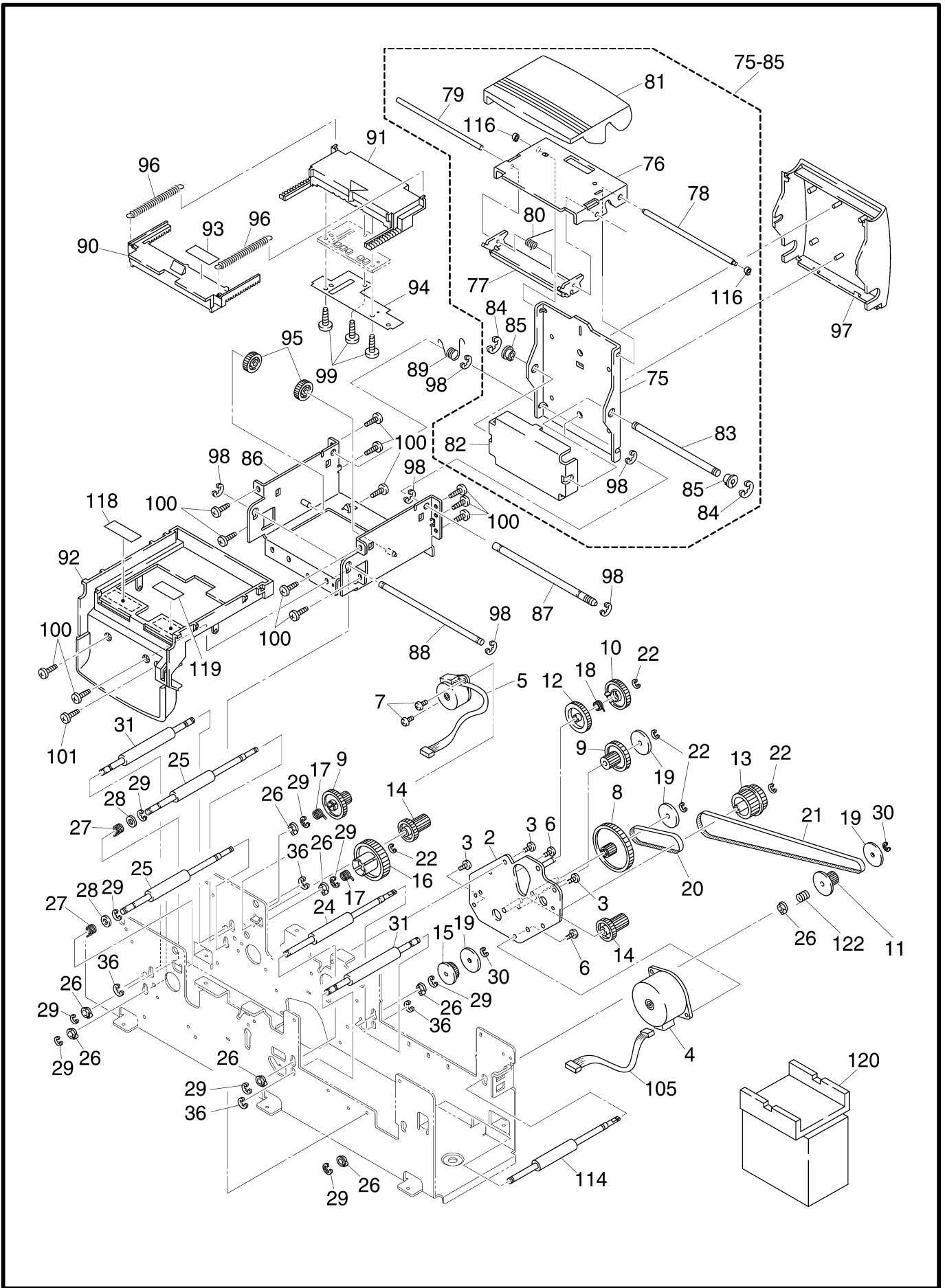
CONTENTS

1 . MECHANISM.....	1
2 . COVERS	5
3 . MAIN PCB	7
4 . POWER SUPPLY PCB.....	9
5 . CONTROL PANEL PCB.....	9
6 . MAIN CAPACITOR CHARGE PCB.....	11
7 . SENSORS	11
8 . ATTACHMENTS.....	13
9 . PRINTED MATTER	15
10 . PACKING MATERIALS.....	15

1. MECHANISM



MODEL SC-2000 5V5-641-045



1 . MECHANISM

PT99005

REF.NO.	CODE	Q'TY	DESCRIPTION	REMARKS
1	UN7201001	1	MAIN CHASSIS SUB ASSY	
2	UN7205001	1	MOTOR HOLDER SUB ASSY	
3	060300506	3	SCREW, BIND M3X5	
4	Z26436001	1	MAIN MOTOR, BP484223LMFX3	
5	Z26567001	1	PAPER FEED MOTOR, BP242516M07-PS	
6	060300506	2	SCREW, BIND M3X5	
7	060260506	2	SCREW, BIND M2.6X5	
8	UN7209000	1	GEAR 19/84	
9	UN7210000	2	GEAR 20/50	
10	UN7211000	1	GEAR 50A	
11	UN7212000	1	PULLEY 18	
12	UN7213000	1	GEAR 25	
13	UN7214000	1	GEAR 44	
14	UN7215000	2	GEAR 21/47	
15	UN7216000	1	PULLEY 25	
16	UN7207000	1	GEAR 68	
17	UN7218001	2	CLUTCH SPRING A	
18	UN7220001	1	CLUTCH SPRING C	
19	UN7221000	4	FLANGE	
20	UN7222001	1	MXL BELT B69, SUB DRIVING ROLLER	
21	UN7224001	1	MXL BELT 221, PAPER EJECT ROLLER	
22	048030346	6	RETAINING RING, E3	
23	UN7699001	1	PLATEN UNIT ASSY (SP)	
24	UN7231001	1	DRIVING ROLLER ASSY	
25	UN7392001	2	PAPER FEED ROLLER ASSY	
26	UN7229000	8	BEARING	
27	UN7233001	2	CLUTCH SPRING D	
28	026050136	2	WASHER, PLAIN S 5	
29	048040346	9	RETAINING RING, E4	
30	048020346	2	RETAINING RING, E2	
31	UN7234001	2	NIP ROLLER	
32	UN7235001	1	SPRING, TORSION R	
33	UN7236001	1	SPRING, TORSION L	
34	UN7237001	1	LABEL NIP SPRING R	
35	UN7238001	1	LABEL NIP SPRING L	
36	048040346	4	RETAINING RING, E4	
37-46	UN7239001	1	FILM PATH ASSY	
37	UN7240001	1	FILM PATH, BLACK010	
38	UN7241001	1	SENSOR BRACKET	
39	UN7243001	1	MAGAZINE LIFT SUB ASSY	
40	087310816	2	TAPTITE, CUP B M3X8	
41	UN7248001	2	SPRING, MAGAZINE	
42	UN7394000	1	OUTER PLATE	
43	UN7395000	1	LOCK PLATE	
44	UN7396001	2	OUTER PLATE SHAFT	
45	048015346	2	RETAINING RING, E1.5	
46	UN7398001	2	RETURN SPRING	
47-51	UN7246001	1	LABEL GUIDE ASSY	
47	UN7247001	1	LABEL GUIDE, BLACK010	
48	UN7241001	1	SENSOR BRACKET	
49	UN7361001	1	RIBBON CASSETTE SHAFT	
50	048020346	2	RETAINING RING, E2	
51	087310816	2	TAPTITE, CUP B M3X8	
52	087311016	10	TAPTITE, CUP B M3X10	
53	087310615	1	TAPTITE, CUP B M3X6	
54	060300506	2	SCREW, BIND M3X5	
55	060300506	2	SCREW, BIND M3X5	
56-65	UN7249001	1	HEAD HOLDER ASSY	
56	UN7250001	1	HEAD HOLDER GUIDE	
57	UN7251001	1	HEAD HOLDER	
58	UN7252001	1	LEVER HOOK, WHITE1397	
59	UN7253001	1	HEAD PROTECTION COVER, BLACK010	
60	UN7254001	1	LEVER SHAFT	
61	UN7255001	1	HEAD GUIDE SHAFT	
62	UN7256001	2	SPRING, COMPRESSION	
63	UN7257001	1	PROTECTION COVER SPRING	
64	048030346	4	RETAINING RING, E3	

CHNG

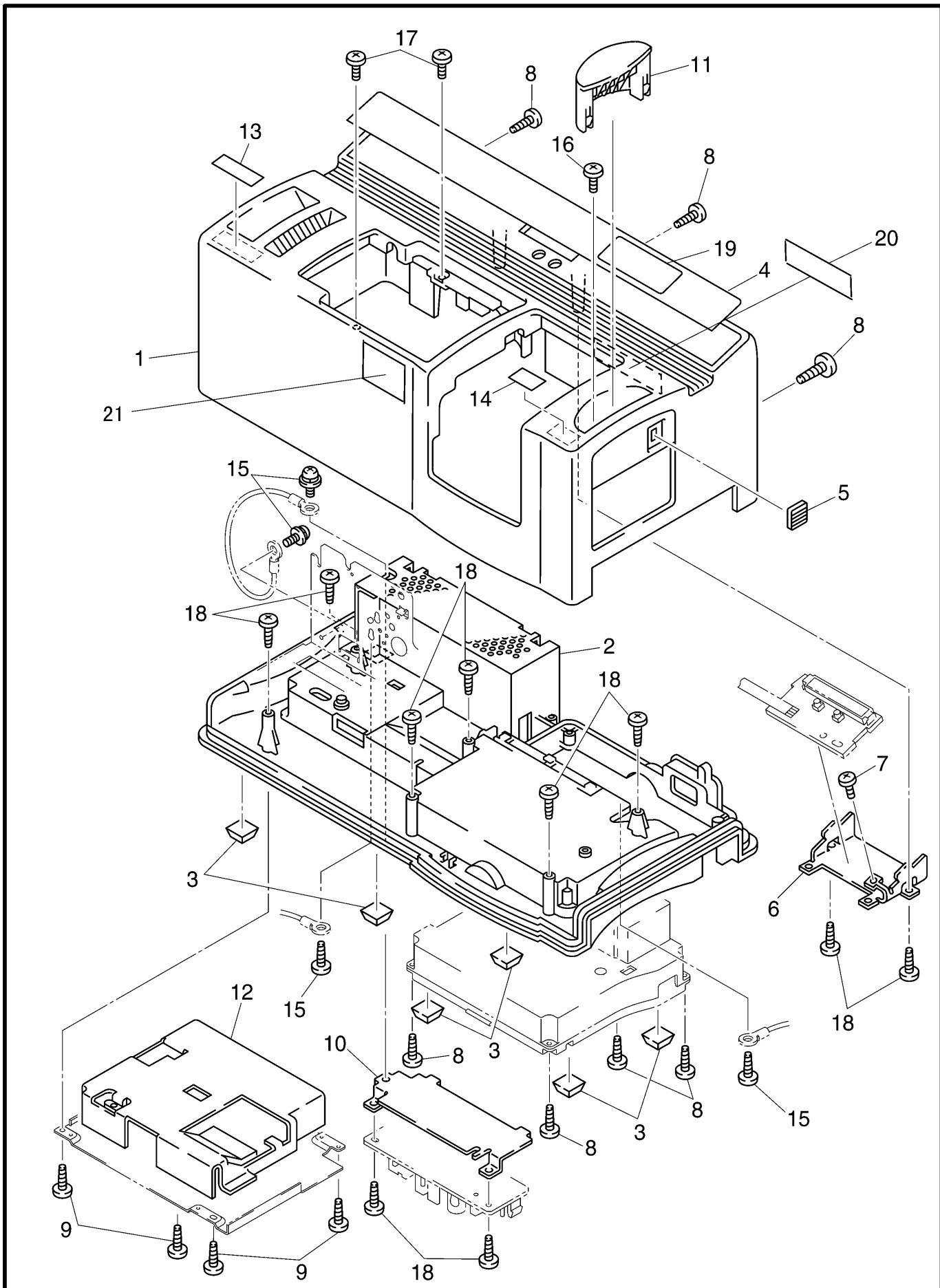
MODEL SC-2000 EU 5V5-641-045

1 . MECHANISM

PT200008

REF.NO.	CODE	Q'TY	DESCRIPTION	REMARKS
65	UN7828001	1	LEVER HOOK RETURN SPRING	
66	UN7693001	1	THERMAL HEAD UNIT (SP)	
67	060300506	2	SCREW, BIND M3X5	
68	UN7260001	1	ROTATION SHAFT	
69	UN7261001	1	CASSETTE COVER, WHITE1397	
70	UN7262001	1	HEAD HOLDER SPRING R	
71	UN7263001	1	HEAD HOLDER SPRING L	
72	UN7264001	1	HEAD GUIDE SPRING	
73	048040346	2	RETAINING RING, E4	
74	087310816	2	TAPTITE, CUP B M3X8	
75-85	UN7265001	1	PRESSER UNIT ASSY	
75	UN7266000	1	PRESSER PLATE	
76	UN7267000	1	PRESSER LEVER	
77	UN7268001	1	PRESSER PLATE LOCK	
78	UN7269001	1	PRESSER PLATE LEVER SHAFT	
79	UN7270001	1	PRESSER PLATE LOCK SHAFT	
80	UN7271001	1	PRESSER PLATE LOCK SPRING	
81	UN7272001	1	PRESSER LEVER COVER, PURPLE6140	
82	UN7273001	1	POSITIONING PRESSER PLATE	
83	UN7274001	1	POSITIONING SHAFT	
84	048050346	2	RETAINING RING, E5	
85	UN7826000	2	PRESSER SHAFT HOLDER	
86	UN7275001	1	PRESSER FRAME SUB ASSY	
87	UN7278001	1	PRESSER PLATE HINGE SHAFT	
88	UN7279001	1	PRESSER FRAME SHAFT	
89	UN7280001	1	PRESSER PLATE HINGE SPRING	
90	UN7281001	1	SHUTTER FRONT, WHITE1397	
91	UN7283001	1	SHUTTER REAR, WHITE1397	
92	UN7284001	1	SHUTTER COVER, WHITE1397	
93	UN7416001	1	SHUTTER US LABEL	
94	UN7409001	1	SHIELD PLATE REAR	
95	UN7285000	2	PINION 14	
96	UN7286001	2	SHUTTER SPRING	
97	UN7288001	1	PRESSER PLATE COVER, PURPLE6140	
98	048040346	6	RETAINING RING, E4	
99	087310816	3	TAPTITE, CUP B M3X8	
100	0A5300606	12	SCREW, PAN (S/P WASHER) M3X6	
101	060300506	1	SCREW, BIND M3X5	
102	UN7289000	1	XENON LOCK CLAW	
103	060301206	2	SCREW, BIND M3X12	
104	0A4201006	2	SCREW, PAN (S/P WASHER) M2X10	
105	UN7290001	1	MOTOR HARNESS ASSY	
106	UN7291001	1	THERMAL HEAD HARNESS ASSY	
107	UN7414000	1	PAPER GUIDE	
108	UN7415001	1	CAUTION LABEL, (EXCEPT KOREA)	CHNG
108	LB0839001	1	HEAD CAUTION LABEL KOREAN, (KOR)	ADD
109	060300506	1	SCREW, BIND M3X5	
110	UN7900000	1	FREE BUSH 50	
111	UN7901000	1	FREE BUSH 15	
112	UN7902000	1	FREE BUSH 70	
113	UN7903000	4	FASTENING BAND L100	
114	UN7904001	1	PAPER EJECT ROLLER UNIT	
115	087310816	2	TAPTITE, CUP B M3X8	
116	UN7229000	2	BEARING	
117	UN7230001	1	FILM GUIDE, BLACK010	
118	UN7981001	1	FLASH CAUTION LABEL, (EXCEPT KOREA)	CHNG
118	LB0840001	1	FLASH CAUTION LABEL KOREAN, (KOR)	ADD
119	UN7986001	1	FLASH CAUTION LABEL EU, (EXCEPT AUS/HKG/KOR)	CHNG
120	UN7152000	1	ADJUSTING JIG	
121	UN7937000	1	GREASE G501, 1KG	
122	LB0264001	1	PAPER EJECT ROLLER SPRING	

MODEL SC-2000 EU/AUS/HKG/KOR 5V5-641-045



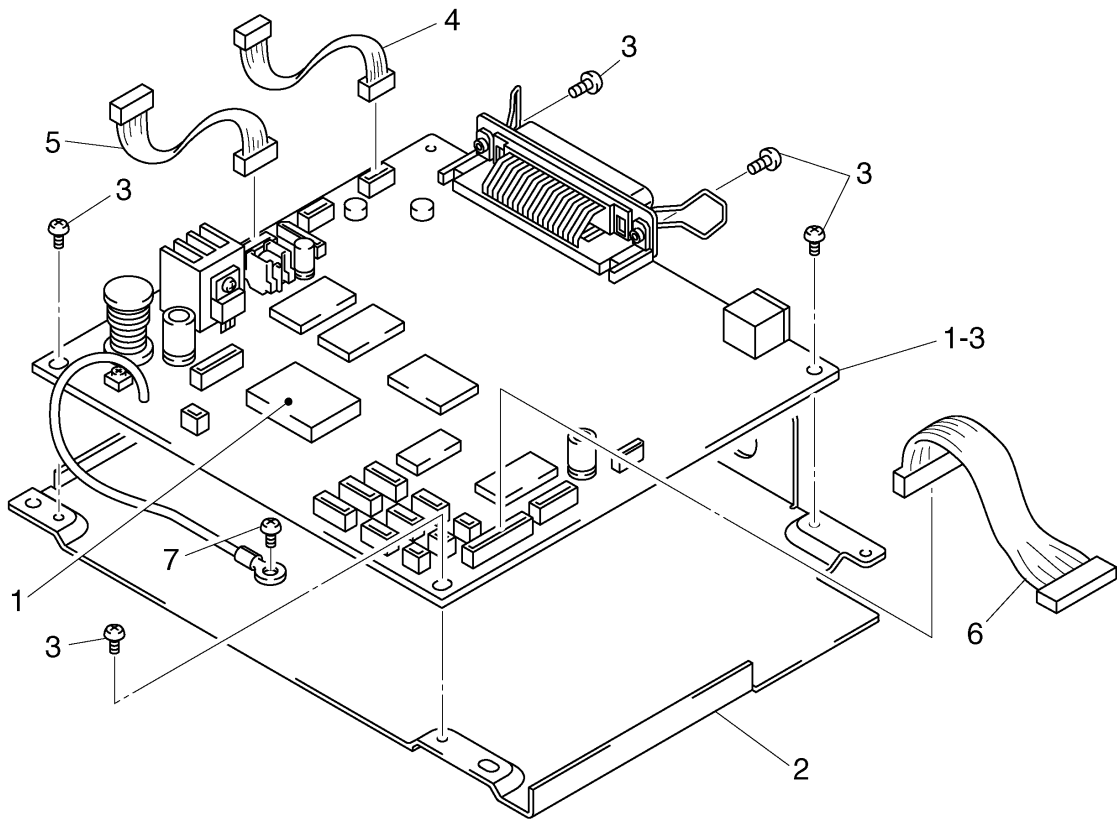
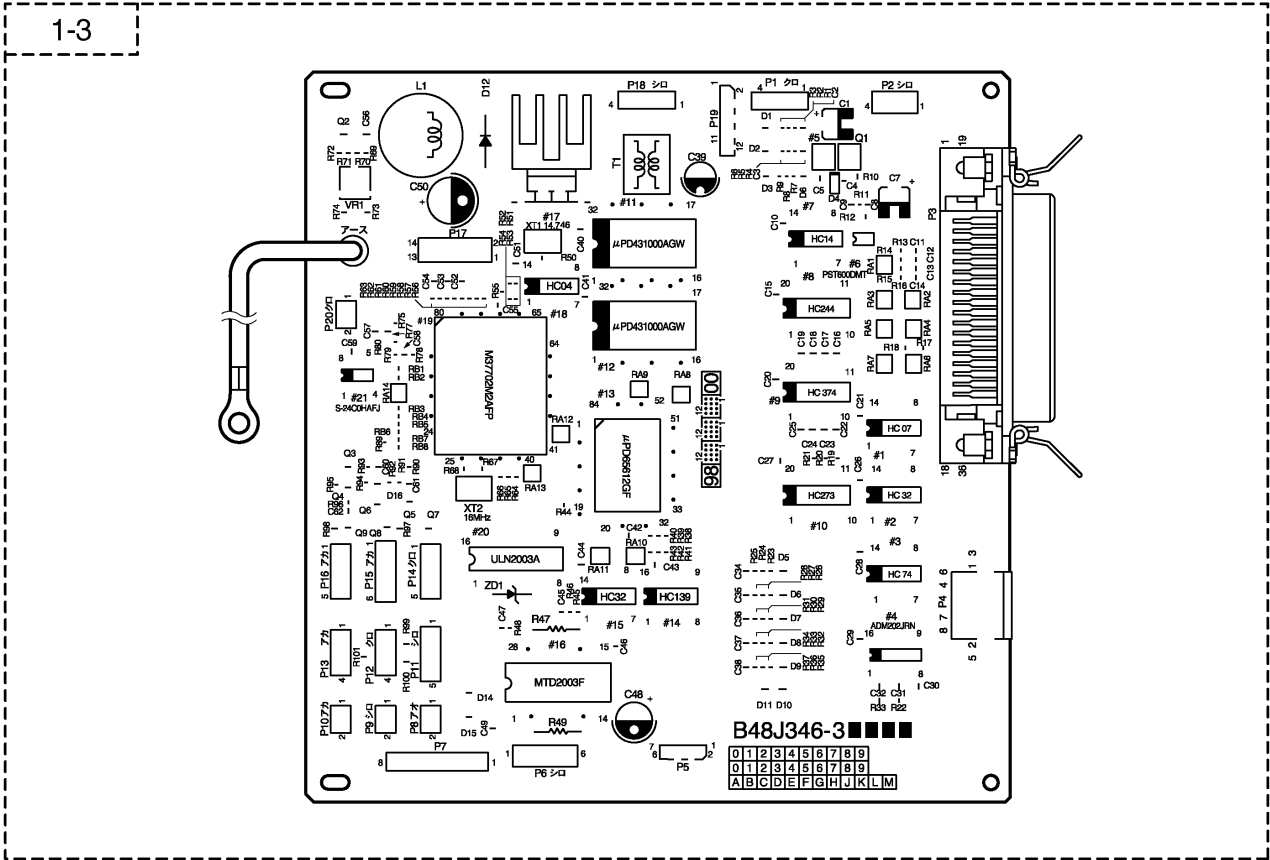
2 . COVERS

PT2001004

REF.NO.	CODE	Q'TY	DESCRIPTION	REMARKS
1	UN7292001	1	BODY COVER, WHITE1397	
2	UT7030001	1	BOTTOM COVER EU, WHITE1397	
3	UL5600001	6	RUBBER FOOT	
4	UN7294001	1	CONTROL PANEL	
5	UN7295001	1	SLIDE LEVER, WHITE1397	
6	UN7297000	1	CONTROL PANEL PCB HOLDER	
7	060300506	1	SCREW, BIND M3X5	
8	085311216	7	TAPTITE, BIND B M3X12	
9	085310816	4	TAPTITE, BIND B M3X8	
10	UN7401000	1	PS PCB SHIELD PLATE	
11	UN7408001	1	EJECT COVER, WHITE1397	
12	UN7411000	1	SHIELD PLATE	
13	UN7418001	1	BODY COVER US LABEL A	
14	UN7419001	1	BODY COVER US LABEL B	
15	0A4400806	4	SCREW, PAN (S/P WASHER) M4X8	
16	060300506	1	SCREW, BIND M3X5	
17	060300806	2	SCREW, BIND M3X8	
18	087311216	10	TAPTITE, CUP B M3X12	
19	UT7029001	1	BODY COVER EU LABEL D, (EUROPE)	
19	UN7952001	1	BODY COVER US LABEL D, (AUS/HKG)	
20	UH3297001	1	C-TICK MARK, (AUS)	
20	LJ4421001	1	MARKING LABEL N/S, NOR/SWE	
21	LB0416001	1	BODY COVER EU LABEL E, (EUROPE/AUS,HKG)	CHNG

MODEL SC-2000 EU/AUS/HKG/KOR 5V5-641-061

3. MAIN PCB



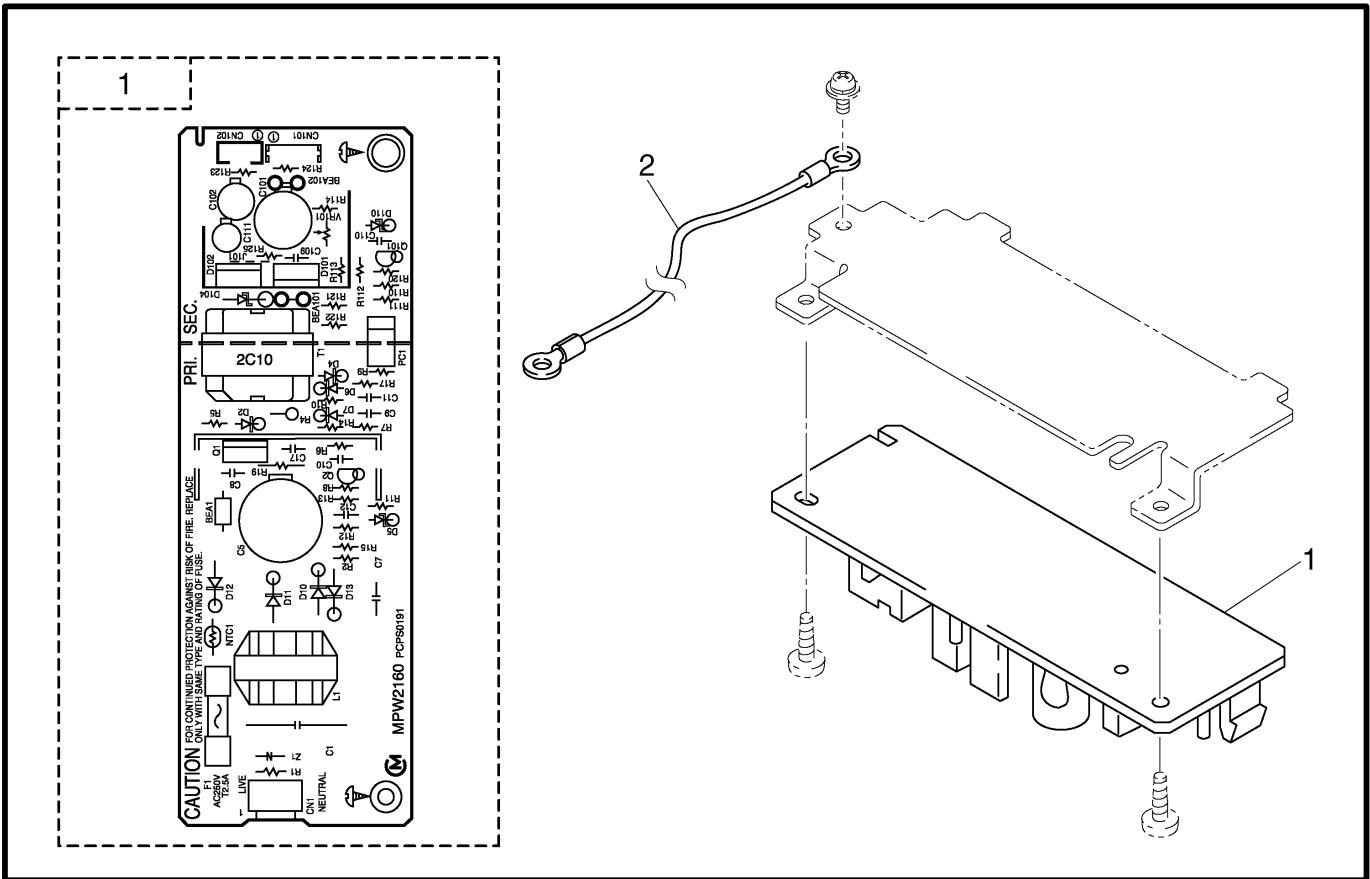
3 . MAIN PCB

PT2001004

REF.NO.	SYMBOL	CODE	Q'TY	DESCRIPTION	REMARKS
1-3	B48J346-3G	UN7694001	1	MAIN PCB ASSY (SP), (EUROPE)	CHNG#B
1-3	B48J346-301	LB0645001	1	MAIN PCB ASSY (SP), (AUS/HKG/KOR)	
1	#19	LB0392001	1	MPU:M37702E4AFP, (EUROPE)	
1	#19	LB0642001	1	MPU:M37702E4AFP, (AUS/HKG/KOR)	
2		UN7296000	1	MAIN PCB BOTTOM PLATE	
3		060300506	5	SCREW, BIND M3X5	
4		UN7314001	1	POWER SUPPLY HARNESS ASSY A	
5		UN7315001	1	POWER SUPPLY HARNESS ASSY B	
6		UN7316001	1	CHARGE HARNESS ASSY	
7		060300506	1	SCREW, BIND M3X5	

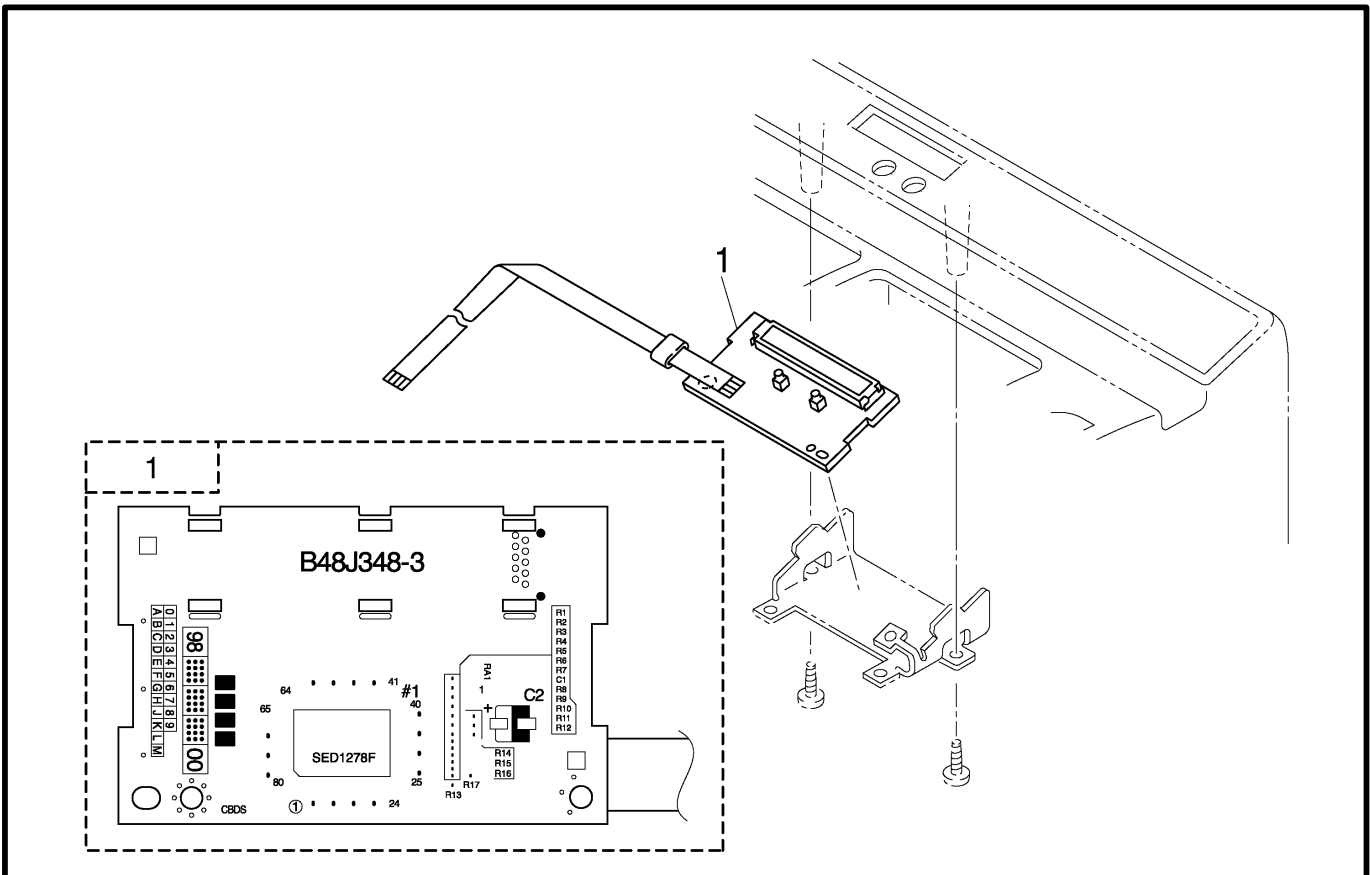
MODEL SC-2000 EU/AUS/HKG/KOR 5V5-641-101

4 . POWER SUPPLY PCB



MODEL SC-2000 5V5-641-102

5 . CONTROL PANEL PCB



MODEL SC-2000 5V5-641-103

4 . POWER SUPPLY PCB

REF.NO.	SYMBOL	CODE	Q'TY	DESCRIPTION	REMARKS
1	MPW2160B	UN7696001	1	PS PCB ASSY EUR (SP)	
2		UN7458001	1	GROUND WIRE C	

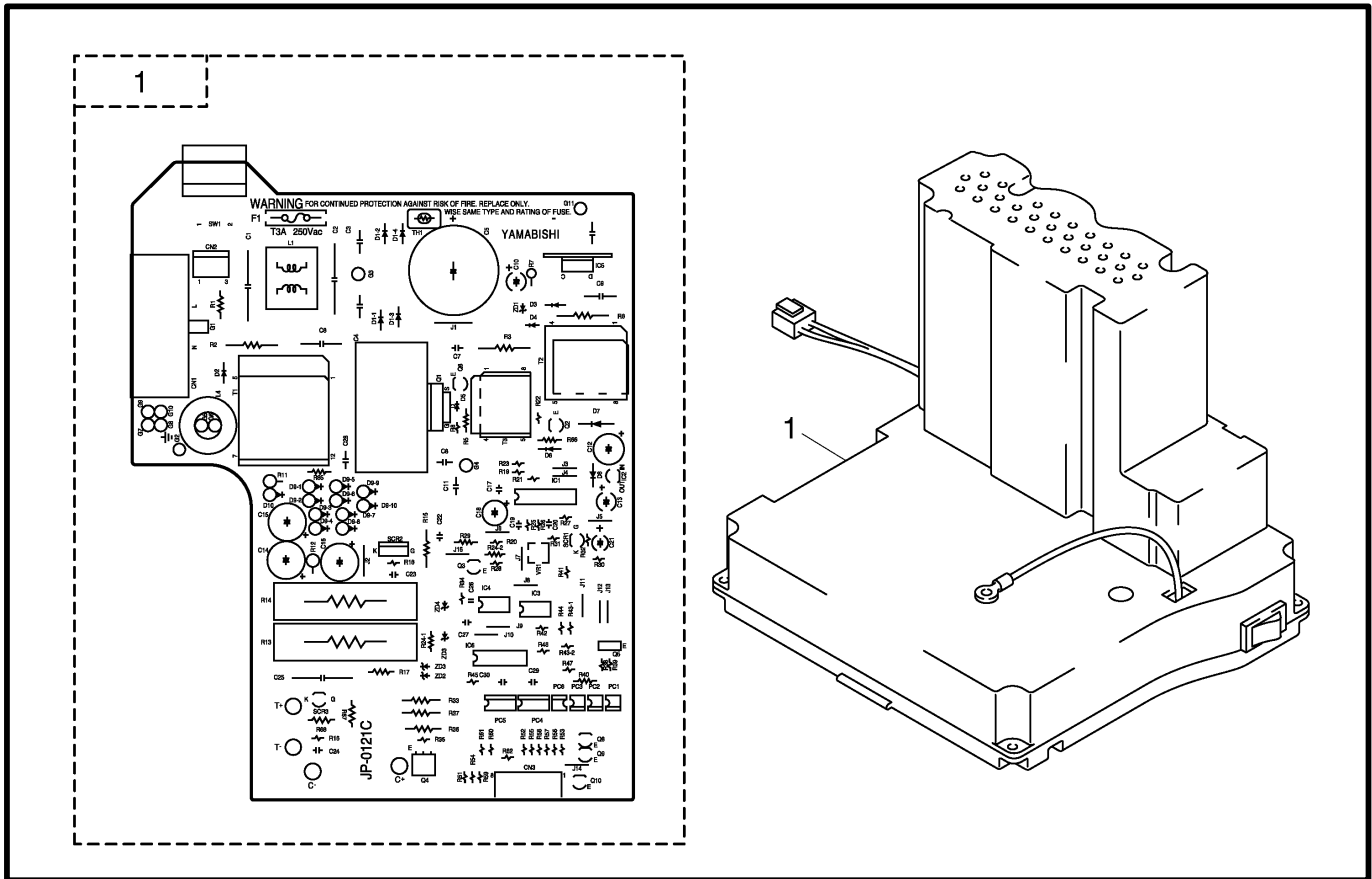
MODEL SC-2000 5V5-641-102

5 . CONTROL PANEL PCB

REF.NO.	SYMBOL	CODE	Q'TY	DESCRIPTION	REMARKS
1	B48J348-3	UN7825001	1	CONTROL PANEL PCB ASSY (SP)	

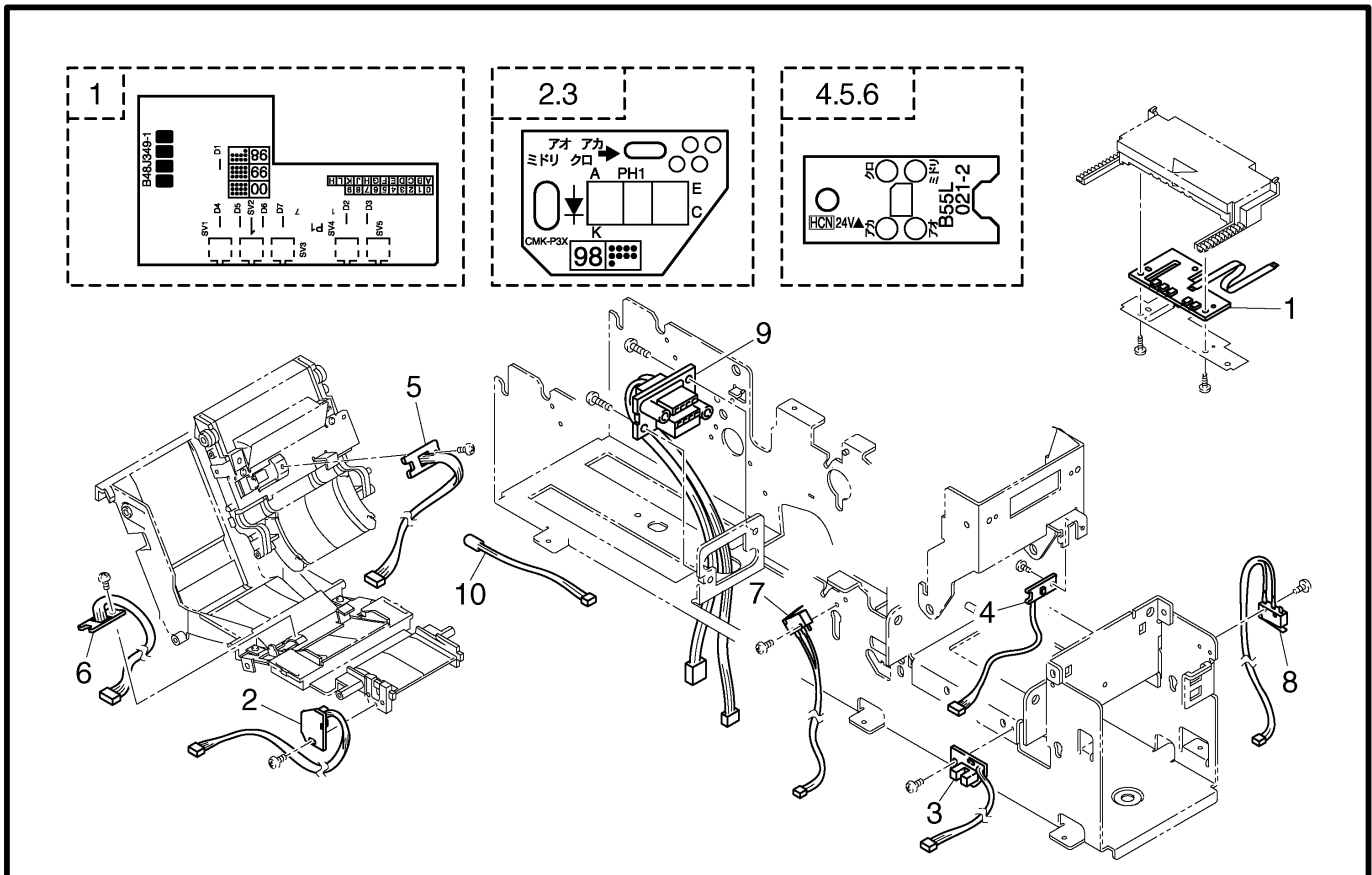
MODEL SC-2000 5V5-641-103

6. MAIN CAPACITOR CHARGE PCB



MODEL SC-2000 5V5-641-104

7. SENSORS



MODEL SC-2000 5V5-641-105

6 . MAIN CAPACITOR CHARGE PCB

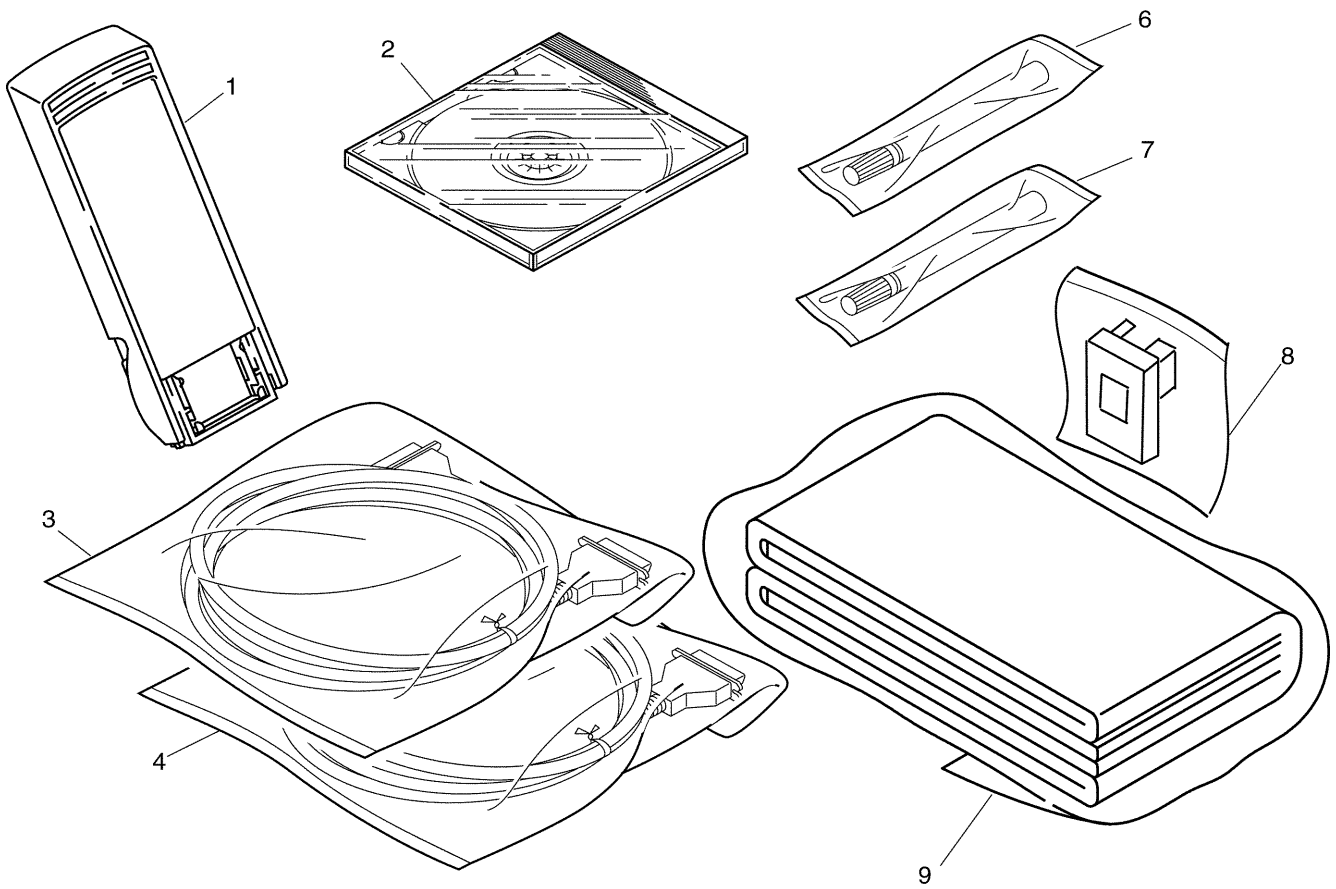
REF.NO.	SYMBOL	CODE	Q'TY	DESCRIPTION	REMARKS
1	JP-0121B	UN7697001	1	MAIN CAPACITOR UNIT ASSY (SP)	

MODEL SC-2000 5V5-641-104

7 . SENSORS

REF.NO.	SYMBOL	CODE	Q'TY	DESCRIPTION	REMARKS
1	B48J349-1	UN7331001	1	SIZE DETECTION PCB ASSY	
2	B55L020-2	UN7335001	1	TRANSPARENT SENSOR ASSY A	
3	B55L020-2	UN7338001	1	TRANSPARENT SENSOR ASSY B	
4	B55L021-2	UN7340001	1	REFLECTIVE SENSOR ASSY A	
5	B55L021-2	UN7344001	1	REFLECTIVE SENSOR ASSY B	
6	B55L021-2	UN7346001	1	REFLECTIVE SENSOR ASSY C	
7		UN7348001	1	MICRO SWITCH ASSY A	
8		UN7351001	1	MICRO SWITCH ASSY B	
9		UN7353001	1	XENON HARNESS ASSY	
10		UN7822001	1	THERMISTOR ASSY	

MODEL SC-2000 5V5-641-105



5A		5D	
5B		5E	
5C		5F	
		5G	

8 . ATTACHMENTS

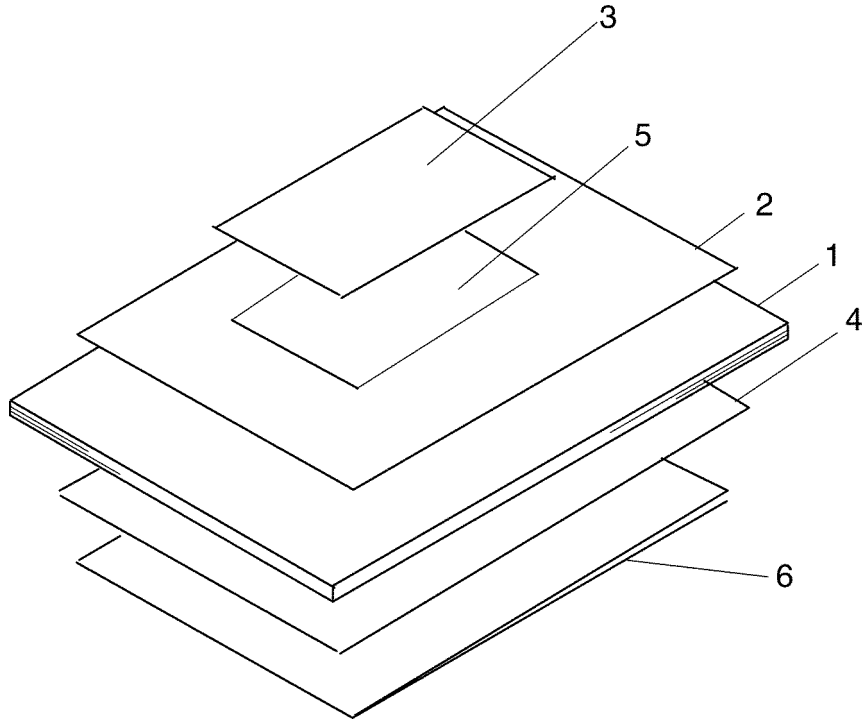
PT2001016

REF.NO.	SYMBOL	CODE	Q'TY	DESCRIPTION	REMARKS
1		UN7370001	1	MAGAZINE TRAY ASSY	
2	B	UN7880001	1	CD-ROM ASSY EU, (EUROPE)	CHNG#D
2		LB0864001	1	CD-ROM ASSY US, (AUS/HKG/KOR)	
3		UG4166001	1	I/F CABLE IQ-5257, PARALLEL I/F	
4		UN7385001	1	I/F CABLE WIN/MAC, SERIAL I/F	
5A		UH1052001	1	AC CORD, VDE (DEU/FRA/NLD/SWE/BEL/NOR/FIN/ESP/ITA)	
5B		UH1053001	1	AC CORD, SEV (CHE)	
5C		UH1054001	1	AC CORD, BS (GBR/IRL/AUS/HKG/KOR)	
5D		UK4094001	1	AC CORD, DEMKO (DNK)	
5E		U34322001	1	AC CORD, #6, ISRAEL (ISR)	
5F		U34320001	1	AC CORD, #4, BS (ZAF)	
5G		UH1055001	1	AC CORD, SAA (AUS/KOR)	
6		UN7479001	1	PRINT HEAD CLEANING PEN EU	
7		LB0414001	1	STAMP CORRECTION PEN P EU	
8		LB0868001	1	ATTACHMENT ASSY KOREAN, (KOR)	
9		LB1227001	1	DUST COVER ASSY, (EUROPE/AUS/HKG/KOR)	

MODEL SC-2000 EU/AUS/HKG/KOR 5V5-641-910

9 . PRINTED MATTER

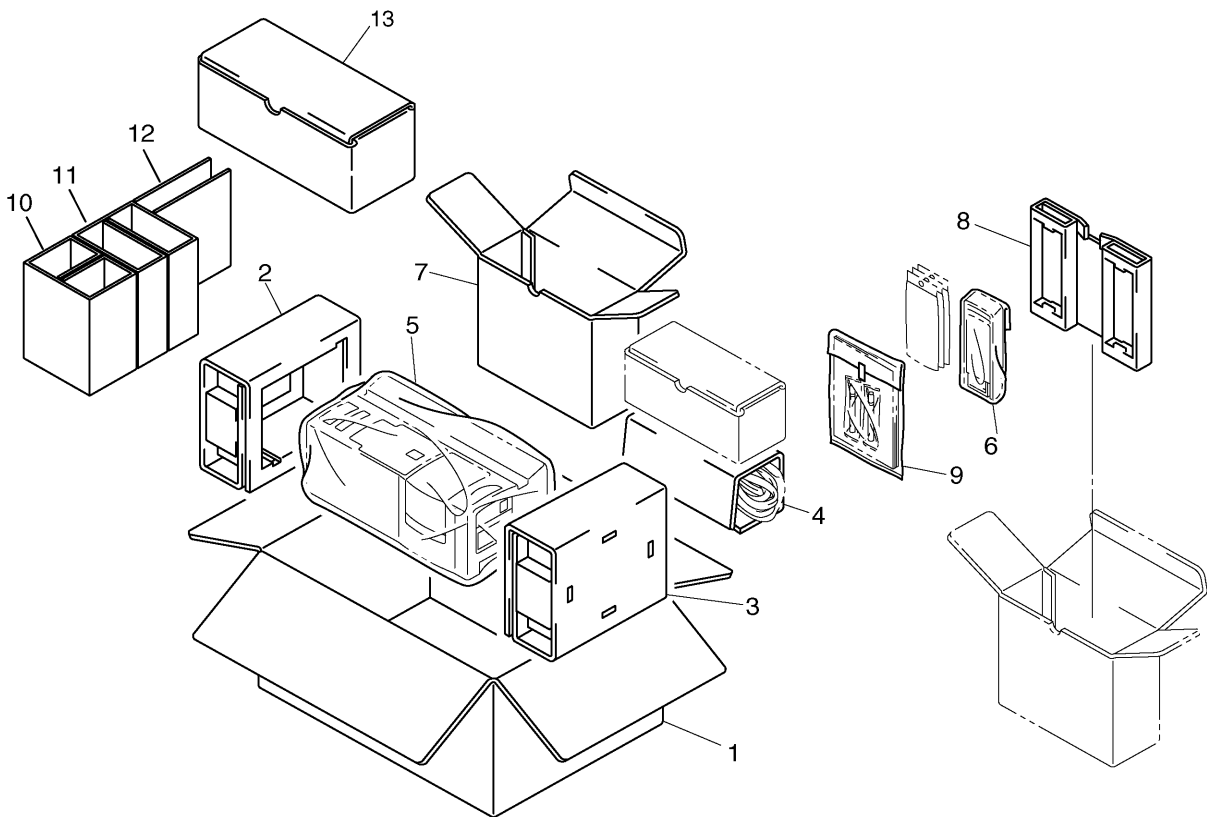
PT2001004



MODEL SC-2000 EU/AUS/HKG/KOR 5V5-641-920

10 . PACKING MATERIALS

PT2000043



MODEL SC-2000 EU/AUS/HKG/KOR 5V5-641-930

9 . PRINTED MATTER

PT2001016

REF.NO.	SYMBOL	CODE	Q'TY	DESCRIPTION	REMARKS
1	A	UN7882001	1	INSTALLATION GUIDE EU, (EUROPE)	CHNG#D
1	B	LB0009001	1	INSTALLATION GUIDE AUS, (AUS/HKG/KOR)	
2		UB2565001	1	WARRANTY CARD, SWEDISH (SWE)	
2		UB3650001	1	WARRANTY CARD, FRENCH (FRA)	
2		UH3662001	1	WARRANTY CARD UK-A (GBR)	
2		UH3663001	1	WARRANTY CARD UK-B (GBR)	
2		UH3851001	1	WARRANTY CARD EUR, (EUROPE)	
2		UU0605001	1	WARRANTY CARD SPA, (ESP)	
2		UF3238001	1	WARRANTY CARD, HK (HKG)	
3		LA2367001	1	INSERTION SHEET IE, (EUROPE)	
4		LB0865001	1	USER'S MANUAL STAMP EXPRESS	
5		LB0866001	1	INSERTION SHEET STAMP EXPRESS	
6		LB1254001	1	CLEANING MANUAL EU, (EUROPE)	
6		LB1258001	1	CLEANING MANUAL KOREAN, (KOR)	

MODEL SC-2000 EU/AUS/HKG/KOR 5V5-641-920

10 . PACKING MATERIALS

PT2000043

REF.NO.	CODE	Q'TY	DESCRIPTION	REMARKS
1	UN7884001	1	CARTON EU, SC-2000 EUROPE/AUS/HKG/KOR	ADD ADD ADD ADD
2	UN7994001	1	STYROFOAM PAD R	
3	UN7995001	1	STYROFOAM PAD L	
4	UN7463000	1	PARTITION	
5	UE1206001	1	PE BAG, 700X800H (BODY)	
6	UT0594001	1	PE BAG, 130X350 (MAGAZINE)	
7	UN7413001	1	CARTON, ATTACHMENTS	
8	UN7461000	1	PAD, ATTACHMENTS	
9	UN7017001	1	PE BAG, 230X350H (ATTACHMENTS)	
10	UN7459000	1	STAMP SET FRAME 3	
11	UN7439000	1	STAMP SET FRAME 2	
12	UN7438000	1	STAMP SET FRAME 1	
13	UN7437001	1	CARTON STAMP SET	

MODEL SC-2000 EU/AUS/HKG/KOR 5V5-641-930